



Raxiom GPS Navigation w/ Bluetooth & Back-Up Camera (10-14 All)



Raxiom OE-Style GPS Navigation w/ Bluetooth & Back-Up Camera (10-14 Mustang GT/V6)

TOOLS REQUIRED

- 8mm Socket
- Flat Head Screwdriver
- Phillips Head Screwdriver
- Plastic Trim Removal Tool
- T10 Torx Bit



STEP 1 // Disconnect the battery by removing the negative terminal.

Manual cars, remove the shift knob.

Automatic cars, use a plastic pry tool to remove the chrome trim around the shifter.



STEP 3 // Using an 8mm Socket, remove the two bolts at the bottom of the control panel.



STEP 2 // Gently pull up on the back of the center console to release the clips. Disconnect any electrical connectors, then remove from the car.



STEP 4 // Using a plastic pry tool at the top of the control panel, carefully release the panel from the clips.



STEP 5 // Disconnect the plug on the back of the control panel.



STEP 8 // Remove the A/C module by using a small flathead screwdriver to release the tabs on both sides of the unit. Lift up to remove, then disconnect the connector.



STEP 6 // Remove the (4) 8mm bolts securing the Sync unit from the dash.



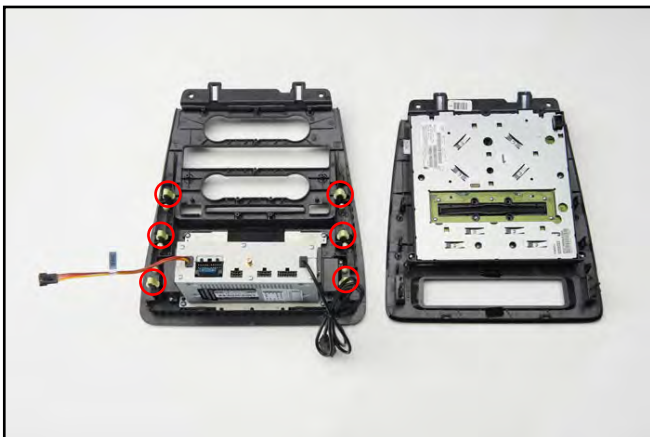
STEP 9 // Remove the (4) 8mm bolts holding the radio unit in and disconnect all connectors in the back.



STEP 7 // Slide the Sync unit out of the dash and unplug the connector from the back.



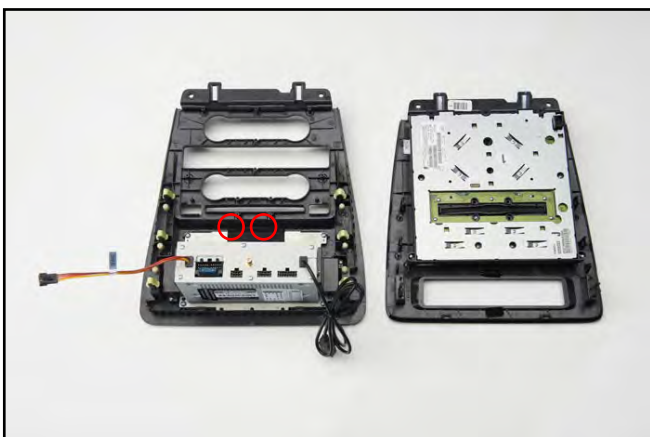
STEP 10 // With the entire radio unit uninstalled, you can now hook up the Raxiom wiring harness to the factory plugs as shown.



STEP 11 // Transfer the yellow clips from the factory faceplate to the Raxiom unit.



STEP 14 // Place the wrapped units into the top of the dash cavity and re-connect them to the factory connectors.



STEP 12 // Remove the 15 T10 torx screws securing the factory controls to the factory faceplate, then transfer the controls to the Raxiom unit. Circled screws will not be re-used.



STEP 15 // Route the video and antenna wires through the glovebox into the dash cavity.



STEP 13 // Wrap the Sync display and AC module in the provided foam wraps, cutting out small sections to reveal the connectors. Zip-tie both units together to keep them secure and organized.



STEP 16a. // Plug the video input wires into the back of the navigation unit as shown. **(Wiring Diagram on last page)**



STEP 16b. // Hook up the RCA cables into the back of the navigation unit next. (**Wiring Diagram on last page**)



STEP 17 // Reinstall the factory CD changer into the vehicle using the (4) factory 8mm bolts. Ensure all connectors are plugged in and tight at this time.



STEP 16c. // Plug the antenna cable into the navigation face as shown above. (**Wiring Diagram on last page**)



STEP 18 // Connect the wires labeled "SWC" to the harness also labeled "SWC" provided with the navigation unit. (**Wiring Diagram on last page**)



STEP 16d. // Using the brown cable, plug it into the output cable for the rear camera you routed through the dash in step 16. (**Wiring Diagram on last page**)



STEP 19 // Depending on your year vehicle, hook up either the 2013 cable, or 2010-2012 cable to the "FLIN-OUT" harness and plug the assembly into the back of the navigation screen. (**Wiring Diagram on last page**)



Wire Routing for Raxiom Antenna and Backup Camera for All Models (2010-2014)

STEP 20 // Reinstall Raxiom unit into the dash and secure it using the factory 8mm bolts.



STEP 21 // Reinstall the factory center console.

Roof Mounting:



STEP 1 // Route the wires around the dash board towards the passenger door.



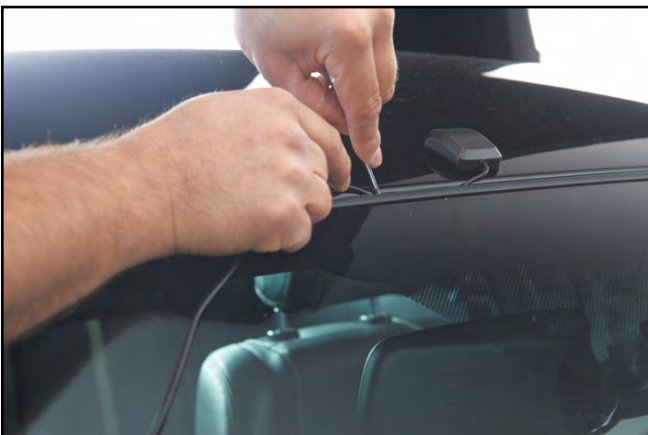
STEP 2 // Pull the passenger side kick panel out and route behind the kick panel.



STEP 3 // Reinstall the kick panel and run the wire out towards the fender.



STEP 4 // Using a small flathead screwdriver, tuck the wires into the window channel running up the side and top of the window.



STEP 5 // Center the antenna on the vehicle and tuck the wires into the channel just as you did for the lower portion. Ensure all wires are tucked and the weather stripping is laying flat around the window.

Trunk Mounting:



STEP 1 // Remove the passenger side door sill.



STEP 2 // Tuck the wire under the sill towards the back of the vehicle.



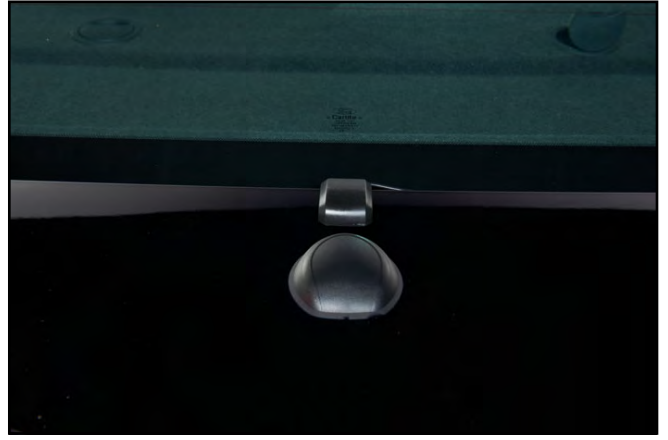
STEP 3 // Remove the passenger side rear panel push tab and slide the wires below it. Reinstall the push tab after the wires are routed.



STEP 4 // Lower rear seats and run wire into trunk area.



STEP 5 // Secure wire along the factory harness using Zip-ties.



STEP 6 // Place the antenna on the the top of the deck lid in the desired location.

**If you want to use the factory antenna you will need to hard wire the Raxiom antenna cable into the factory antenna.*

Mounting Instructions for Raxiom Backup Camera (2010-2014)



STEP 4 // Remove the passenger side rear panel push tab and slide the wires below it. Reinstall the push tab after the wires are routed.



STEP 1 // Remove the passenger side door sill.



STEP 5 // Run the wires next to the rear seat and with the rear seat folded down, run them into the trunk.



STEP 2 // Tuck the wire under the sill towards the back of the vehicle.



STEP 6 // Run the wires towards the rear of the vehicle under the mats and with the factory license plate bulb wiring harness.



STEP 7 // Remove the plate light with a phillips head screwdriver. Install the camera between the two lights and route the wire into the trunk cavity through the plate bulb mounting bracket by pulling the socket down slightly and fishing the wires into the trunk.



STEP 8 // After plugging the rear veiw camera in, reinstall the plate lights into the bumper.

**It may help to notch out the light bezel so the camera wire doesn't get pinched.*

Enabling Installer Settings



1. Launch installer settings menu by pressing “settings” button in upper left hand corner.



2. Adjust settings/options as needed for your specific installation.

Troubleshooting



Navigation

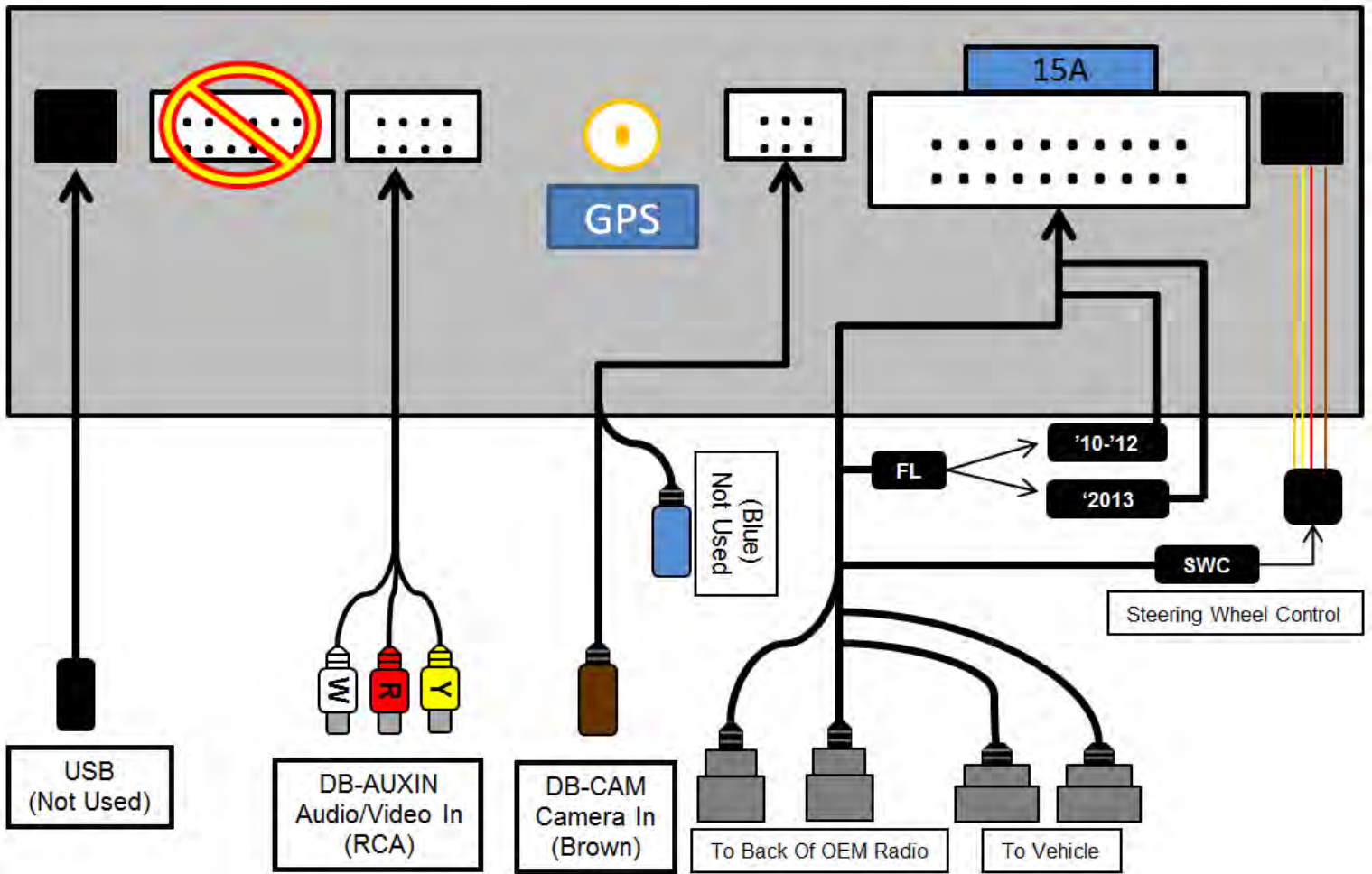
- Confirm antenna has unobstructed view of sky
- Confirm the antenna is located on the outside of the vehicle
- Confirm the antenna connection is properly tightened



Reverse Camera

- Confirm camera option is set to “ON” in the settings menu
- Confirm the brown DB Camera Input plug is connected

Main Wiring Harness Diagram Back of Rosen SYNC/Nav Unit



NOTICE OF INTENDED INSTALLATION AND USE

The Rosen Multi-Media Navigation Systems contain an internal video player, which is not intended for viewing by the driver. The video player is disabled when the vehicle is in motion through a connection to the parking brake.

The Installer of this product must insure the Video Disable Circuit is working properly prior to delivery of the vehicle.

Improper installation could distract the driver or interfere with safe operation of the vehicle, which could result in serious injury or death, and could also violate State and/or Federal law.

Rosen Electronics disclaims any liability for any bodily injury or property damage that may result from any improper or unintended installation and/or use.

Service and Optional Parts List

Part Numbers

DB-FORD-MAIN
DB-AUXIN
DP-1022
PP1006

Description

T-Harness, Ford main
Harness, AUX in
Antenna, GPS, 5 meters
Ground plate, GPS antenna

Optional Accessories

DP-1047
DP-1066
DP-1067
DP-1068

GPS antenna windshield mount
Camera, license plate black
Camera, license plate chrome
Camera, universal black