

INSTRUCTIONS

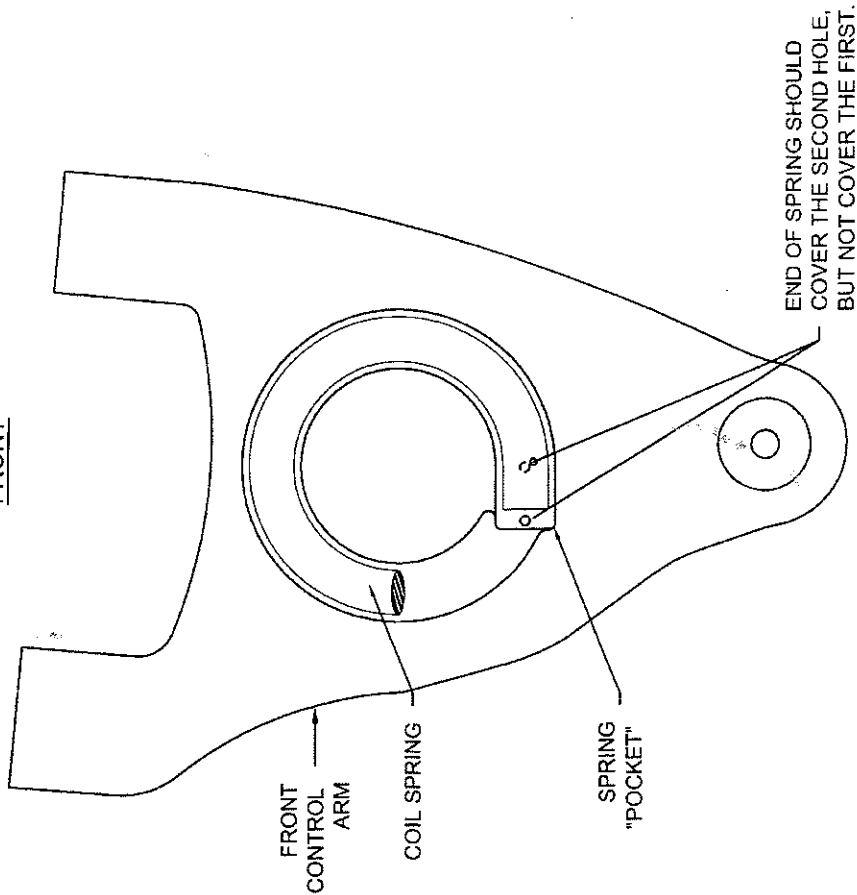
Raise the car and place it on jackstands. Never work under a vehicle which is not properly supported.

Consult a shop manual for the procedure to remove the stock springs. **CAUTION:** Coil springs store a lot of energy, and can "fly" off the car and cause severe injury if not removed properly.

A coil spring compressor will be required to install drag racing front springs, but is not necessary to install Steeda lowering springs.

Transfer the rubber isolators from the stock springs to the new springs. If your isolators are damaged or missing, new ones can be purchased from Steeda. Leaving the top or bottom isolators out will lower the car approximately 1/4 inch, or 3/8 to 1/2 inch if both are left off. At least one isolator per spring is recommended to prevent noise. Locate the spring on the control arms as shown in the illustration.

FRONT



REAR

SOLID AXLE SHOWN:
Consult a service manual for independent rear suspension (Cobra) installation procedure

