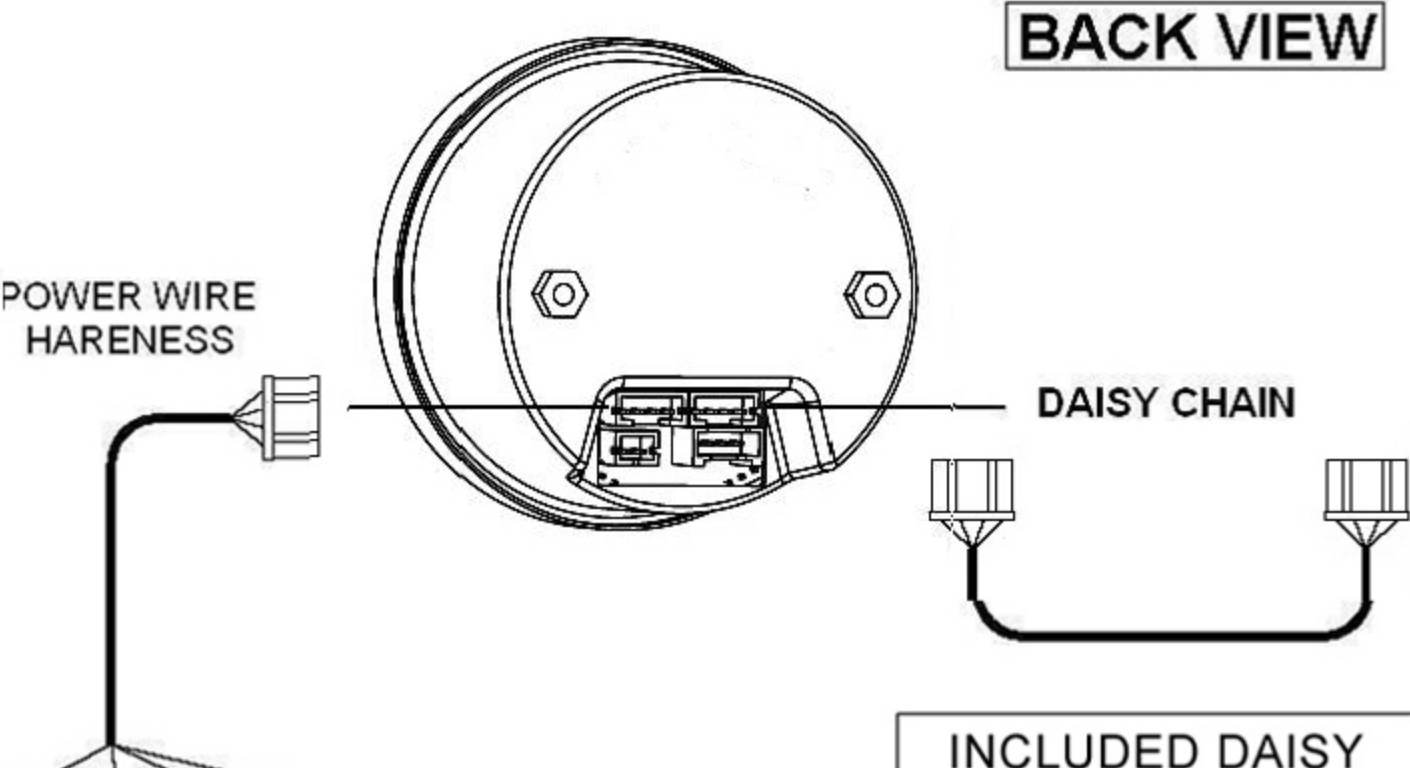
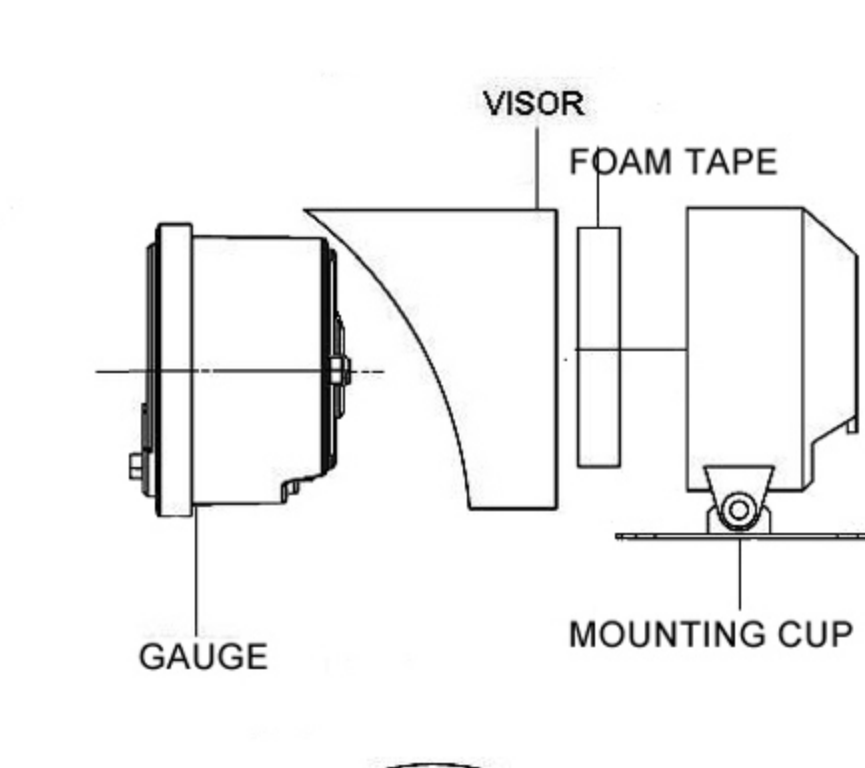
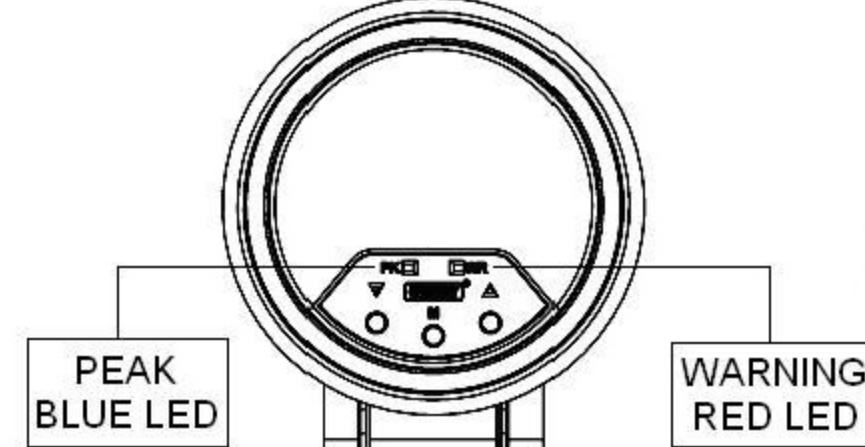
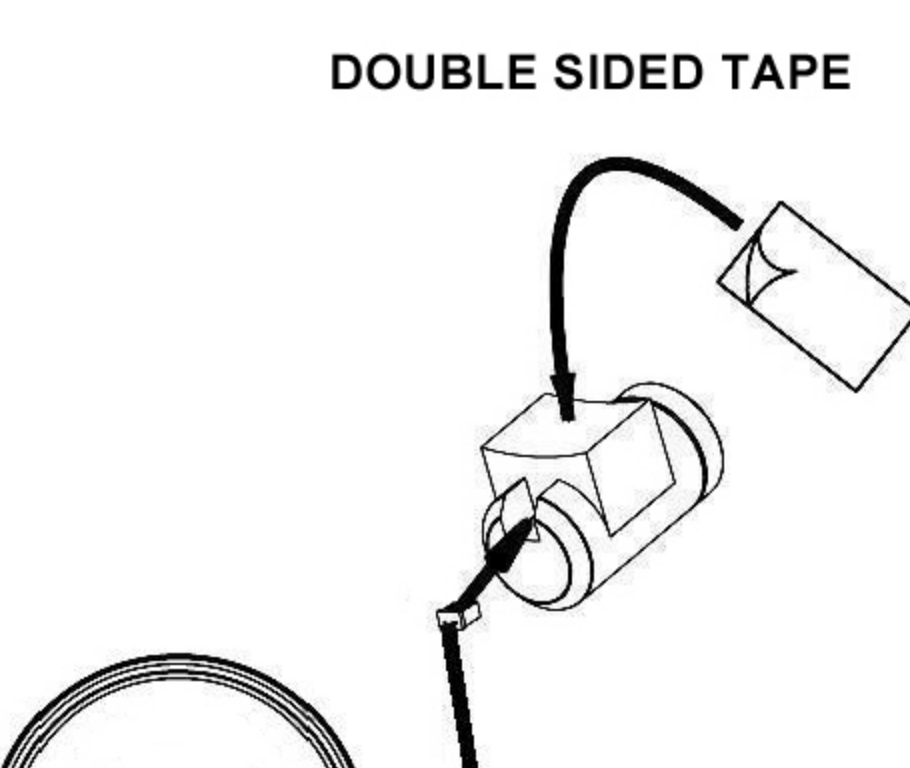
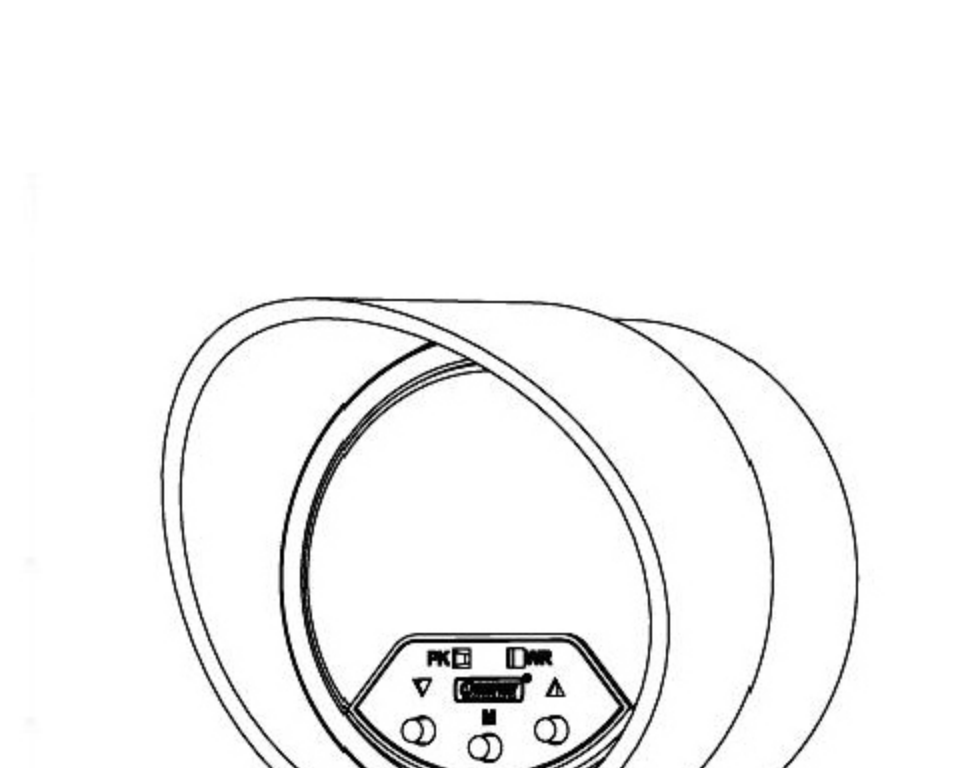


INSTALLATION INSTRUCTIONS

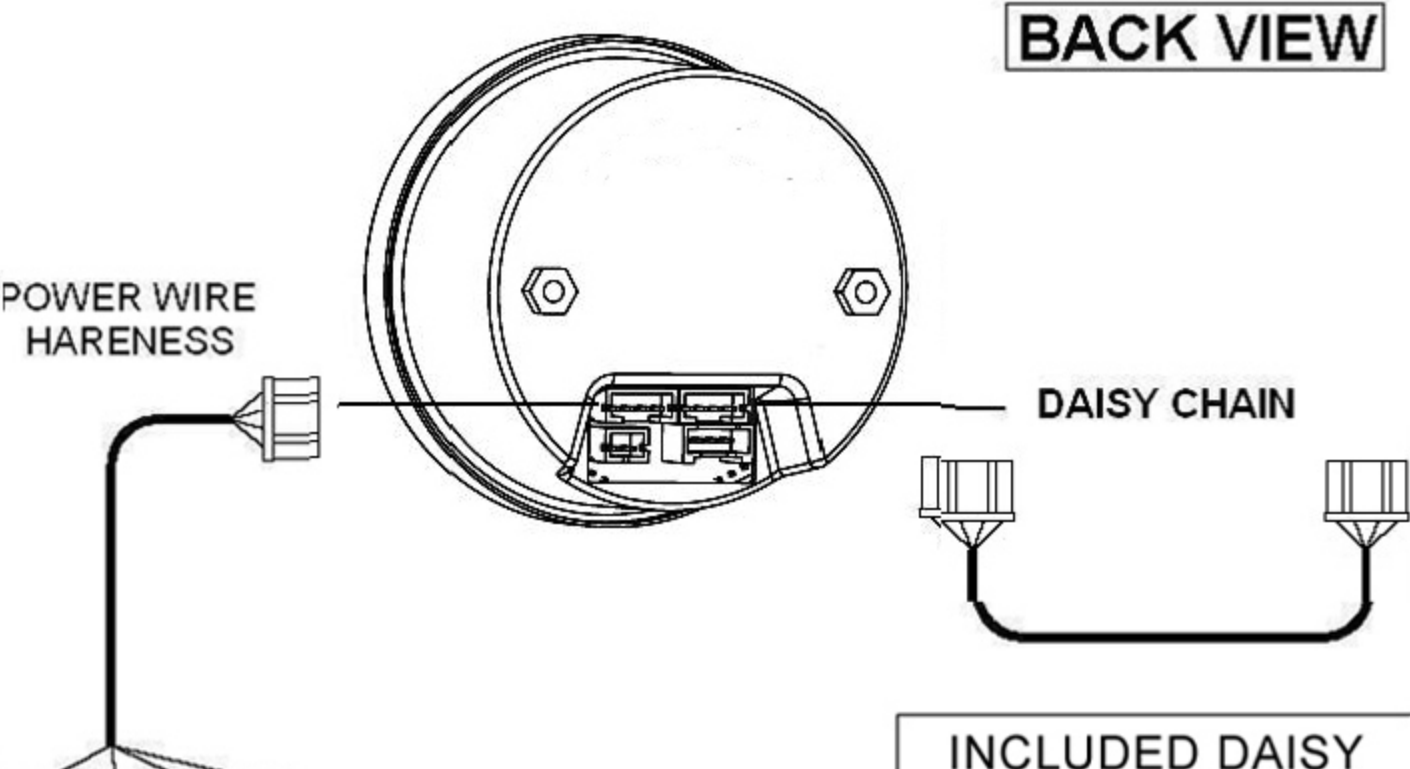
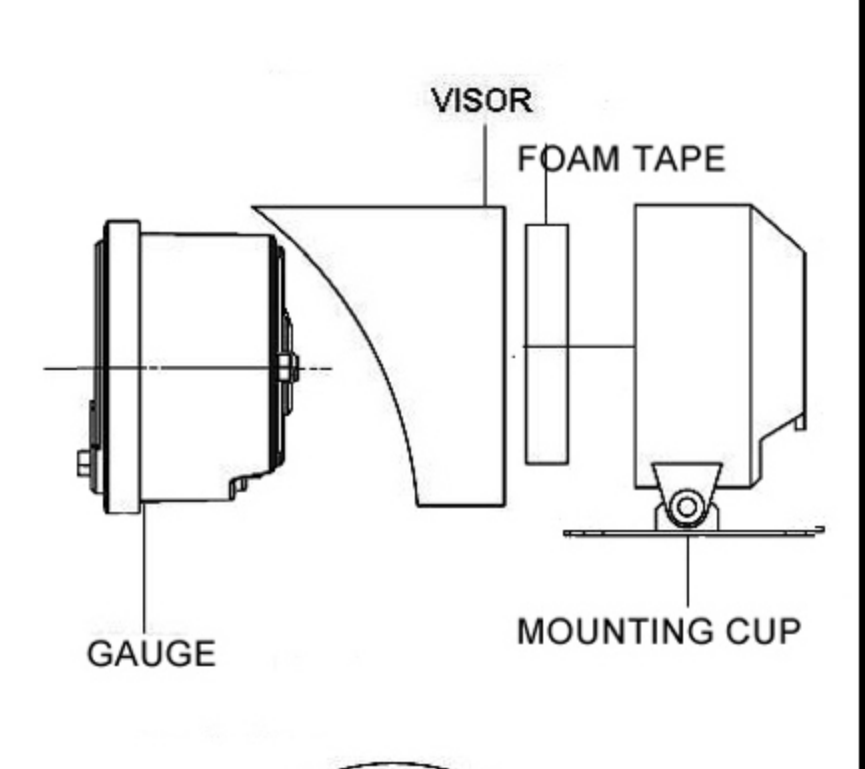
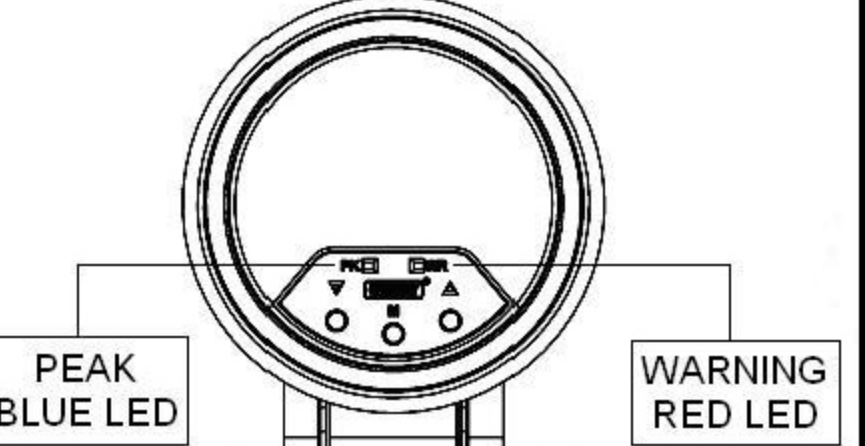
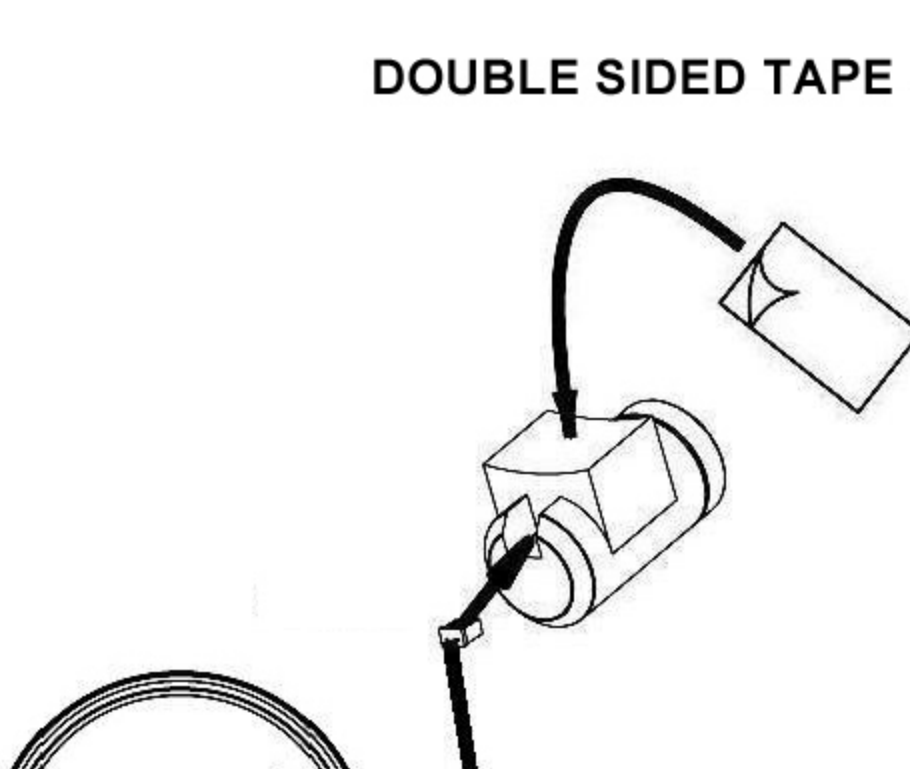
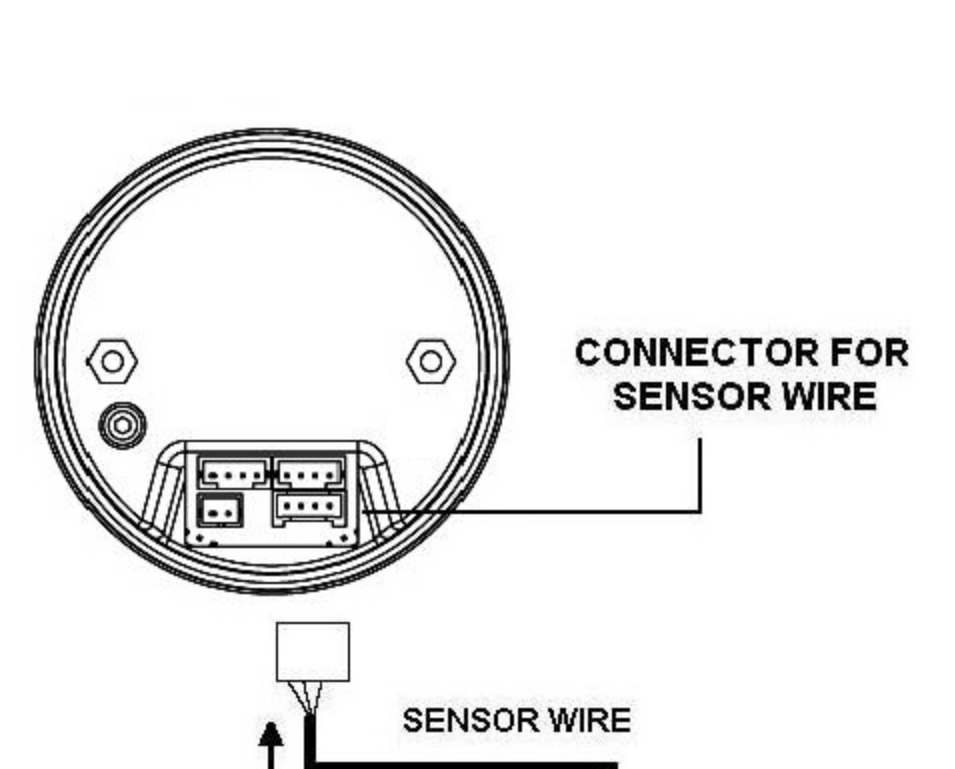
60MM PREMIUM EVO SERIES W/ WARNING & PEAK

WHITE / RED / GREEN / BLUE LED DISPLAY

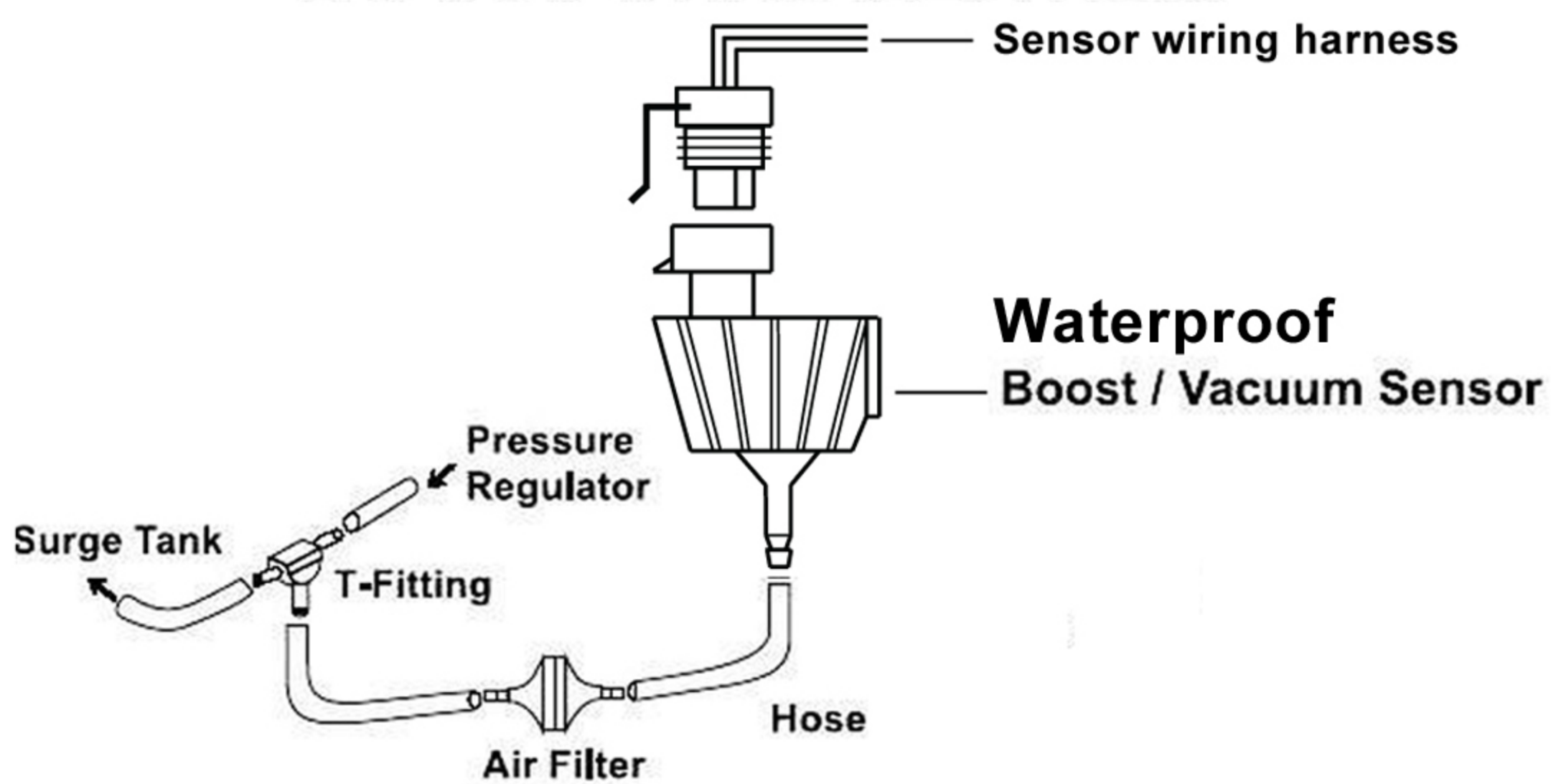
Volt Gauge

<p>BACK VIEW</p>  <p>POWER WIRE HARENESS</p> <p>DAISY CHAIN</p> <p>INCLUDED DAISY CHAIN USED TO POWER ADDITIONAL GAUGES</p> <p>RED - Constant 12v BLACK - Ground WHITE - Accessory 12v ORANGE - 12v Headlight switch (For dimming at night)</p>	 <p>VISOR</p> <p>FOAM TAPE</p> <p>GAUGE</p> <p>MOUNTING CUP</p>  <p>PEAK BLUE LED</p> <p>WARNING RED LED</p>	<p>DOUBLE SIDED TAPE</p>  <p>OPTIONAL EXTERNAL WARNING LIGHT SOLD SEPARATELY</p>	 <p style="text-align: center;">Complete Set</p>
--	--	--	--

Boost / Vacuum Gauge

<p>BACK VIEW</p>  <p>POWER WIRE HARENESS</p> <p>DAISY CHAIN</p> <p>INCLUDED DAISY CHAIN USED TO POWER ADDITIONAL GAUGES</p> <p>RED - Constant 12v BLACK - Ground WHITE - Accessory 12v ORANGE - 12v Headlight switch (For dimming at night)</p>	 <p>VISOR</p> <p>FOAM TAPE</p> <p>GAUGE</p> <p>MOUNTING CUP</p>  <p>PEAK BLUE LED</p> <p>WARNING RED LED</p>	<p>DOUBLE SIDED TAPE</p>  <p>OPTIONAL EXTERNAL WARNING LIGHT SOLD SEPARATELY</p>	 <p>CONNECTOR FOR SENSOR WIRE</p> <p>SENSOR WIRE</p> <p>WHITE CONNECTOR</p> <p>BLACK RED WHITE</p> <p>BACK VIEW</p> <p style="text-align: center;">VACUUM / BOOST SENSOR</p>
--	--	--	---

BOOST INSTALLATION



Is your gauge not sitting at zero?

To compensate for altitude you can zero out the gauge using the supplied key (or 2mm allen wrench).

With the key on - engine off, wait for the gauge to stop moving and slowly turn the screw until the gauge reads zero.

