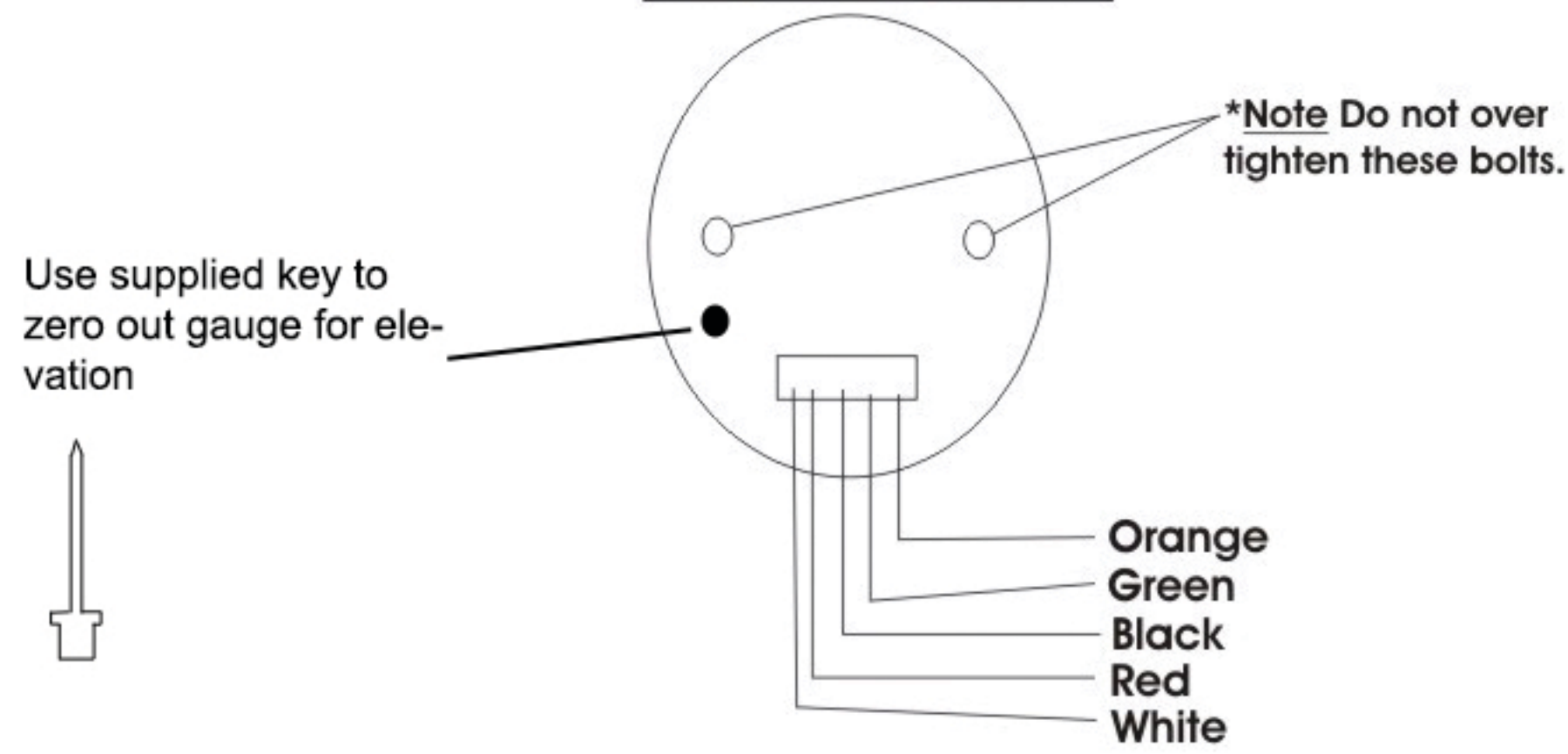


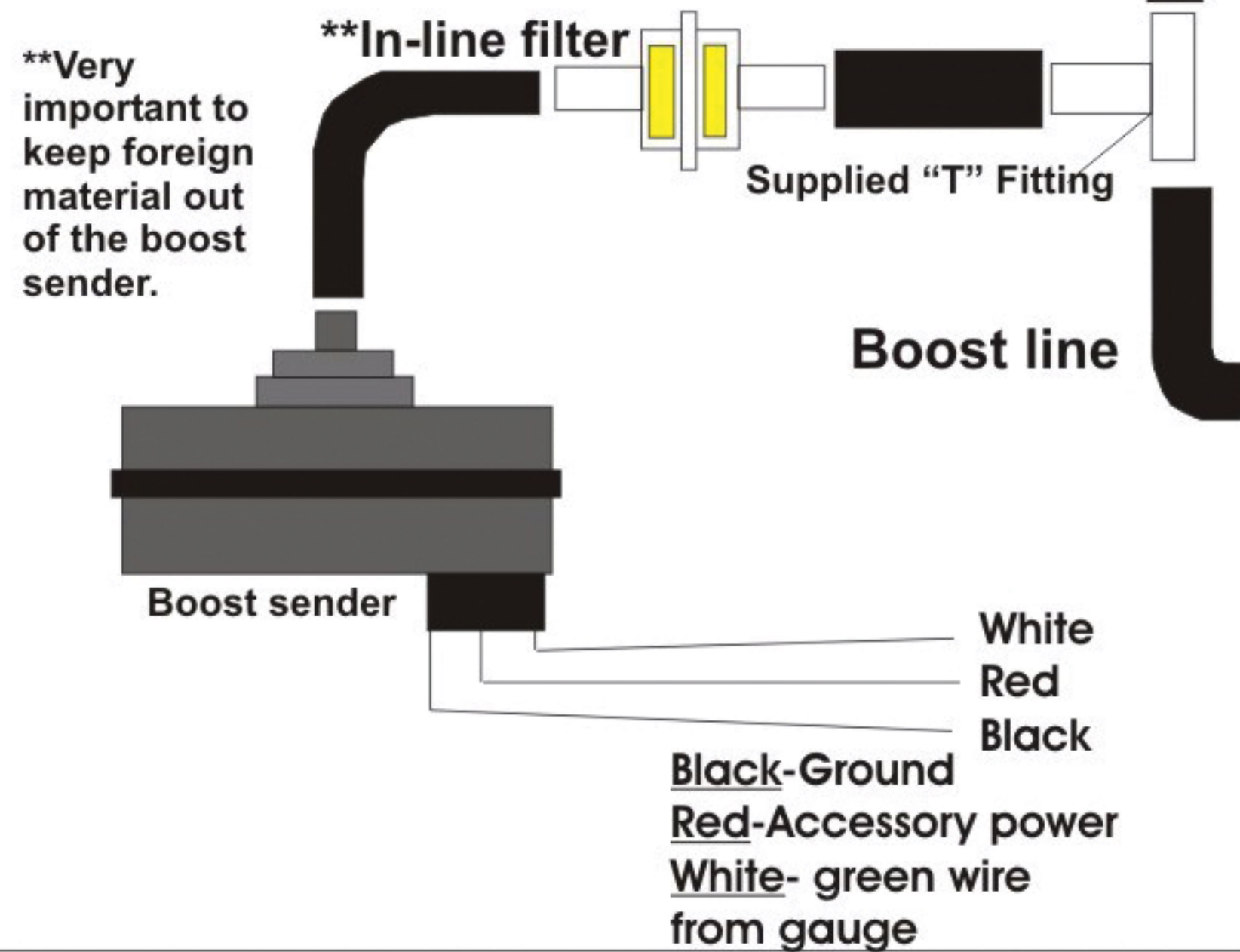
# ProSport Inc. Performance Boost Gauge

Blue/White Display (270° Scale)

## Electrical



Cut boost line and install supplied plastic "T" fitting. Connect "T" fitting to In-Line Filter with supplied hose. Then connect In-Line Filter to sender with supplied hose.



## Wiring Instructions

(White during the day, Blue at Night)

Red- 12v Accessory Power (also run to sender)

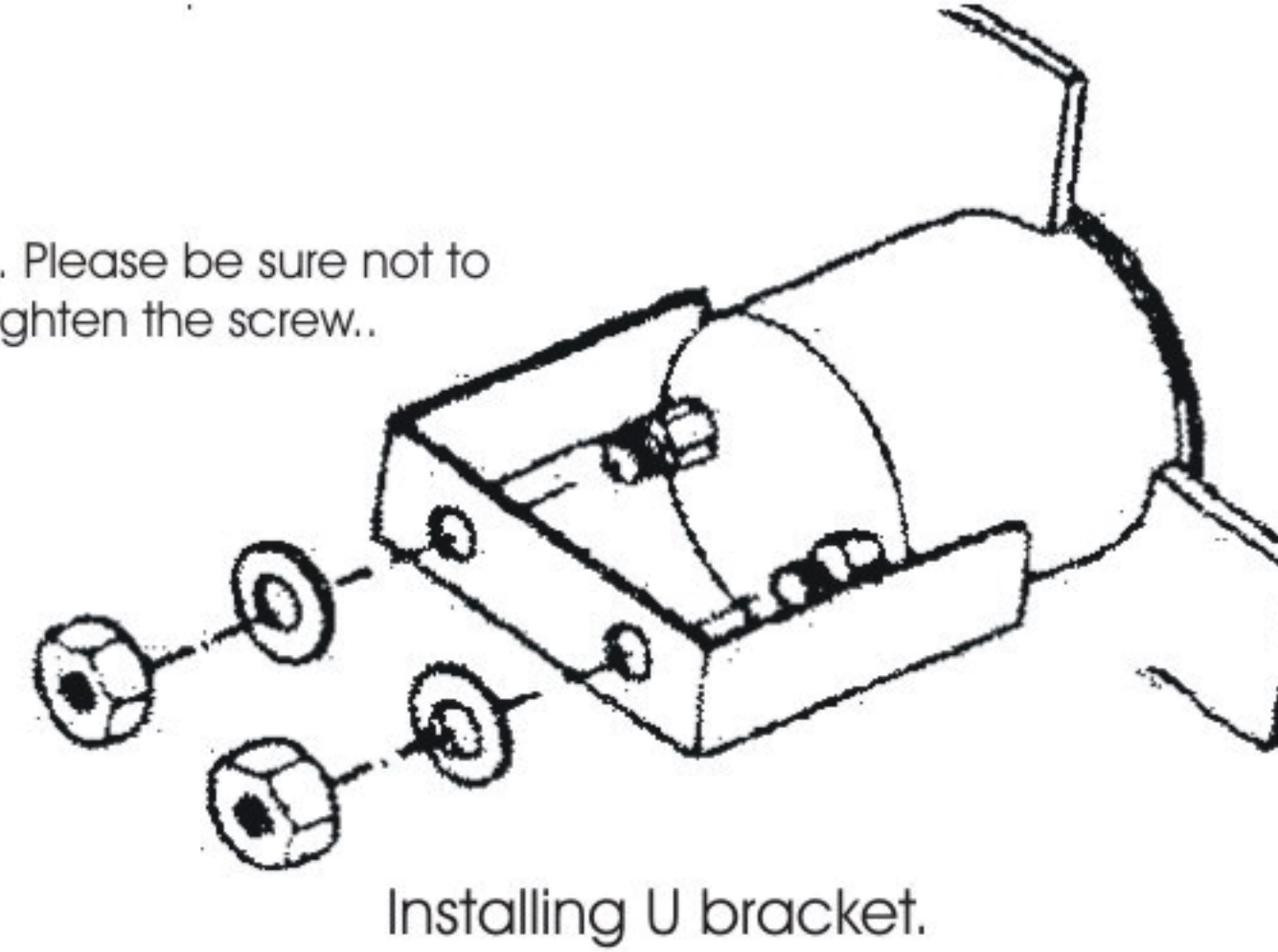
Black-Ground

White- 12v Accessory power  
green- boost sender  
(Connects to white wire from sender)

Orange- Head light switch (12v Switch power)

**SENSOR MOUNTING:** Please mount the sensor inside the cabin. Mounting it in the engine bay will expose it to high temps and possible water/moisture. We take no responsibility in damaged sensors by these elements.

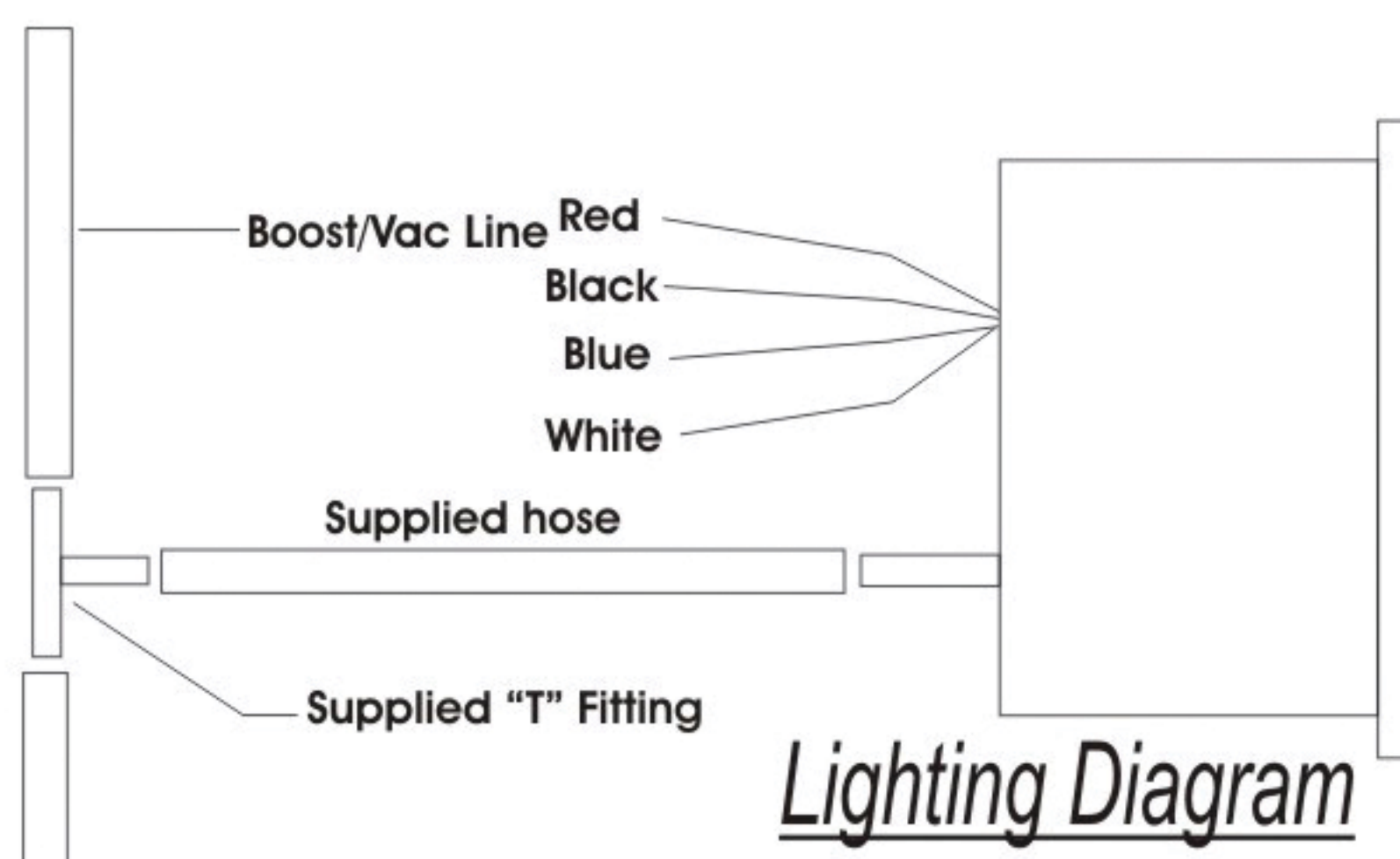
\*Note. Please be sure not to over tighten the screw..



## Lighting Options

Day Time	Night Time	Installation
White	White	White-- Connect to acc. Power Orange-- Do not connect
Blue	Blue	White-- Do not connect Orange-- Connect to acc. Power
White	Blue	White-- Connect to acc. Power Orange-- Connect to Headlight Switched Power
Blue	White	White-- Connect to Headlight Switched Power Orange-- Connect to acc. Power

## Mechanical



Day Time	Night Time	Installation
White	White	White — Connect to acc. Power Blue — Do not connect
Blue	Blue	White — Do not connect Blue — Connect to acc. Power
White	Blue	White — Connect to acc. Power Blue — Connect to parking lamp
Blue	White	Blue — Connect to acc. Power White — Connect to parking lamp

## Wiring Instructions

Red- 12V Accessory power

Black - Ground

White- Accessory power 12v

Blue- Head light switch(12v switch power)

\*Note. Please be sure not to over tighten the screw..

