

LeBra®

Owner's Manual

Model #551486 - LeBra® Ford Mustang without GT Performance Package

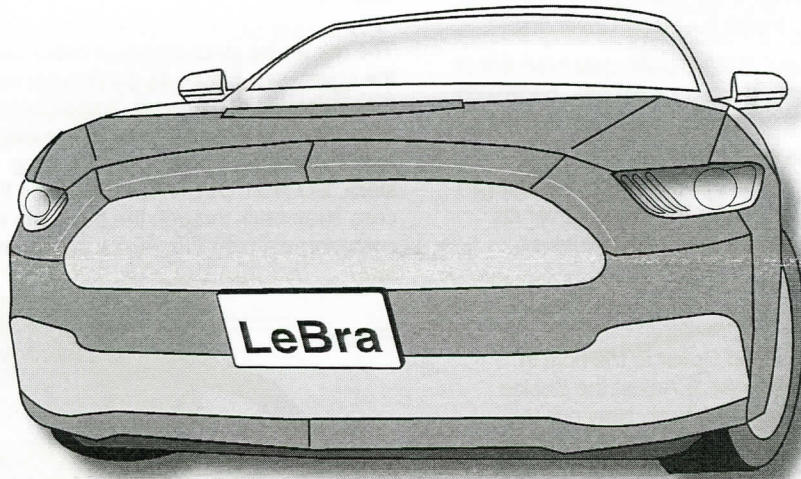
About Your Covercraft Product

Congratulations on your purchasing decision. Covercraft Industries designed the LeBra® Front End Cover to be the very best available. With proper care, your LeBra® Front End Cover will provide years of stylish looks and maximum protection.

Installation of the LeBra® Front End Cover is a simple process that should take about 30 minutes. Removal and reinstallation (as for car washing) takes just a few minutes.

If you encounter any problems during the installation of your LeBra® Front End Cover, please contact our Customer Service Department, Monday - Friday, 8AM - 4PM (CST) at 405-238-9651 or by e-mail at sales@covercraft.com.

Note: Please read this manual thoroughly before beginning the installation. After completing installation, keep this manual for further reference.



Tips for Easier Installation and Care

- Before installation, wash and wax your vehicle. Use a paste wax—not a spray—on the hood and fenders in order to maintain the finish underneath the LeBra® Front End Cover.
- Install the LeBra® Front End Cover in temperatures of 70°F (21°C) or higher. The warmth will make the fabric more pliable and will allow it to stretch slightly for a tighter and smoother fit.
- Do not use vinyl cleaners or protectants on your LeBra® Front End Cover. These cleaners reduce the breathability of the vinyl and will void the Covercraft Warranty.
- Do not install the LeBra® Front End Cover on any vehicle that does not still have its original factory paint. Covercraft will not be held liable for any warranty claims of paint damage to repainted vehicles.
- Remember that the LeBra® Front End Cover also protects paint from fading due to sunlight while the rest of the car is exposed. Covercraft will not be held liable for any warranty claims on sun-faded paint.
- Caution: There may be elastic straps described in some sections of this manual that can snap back if not properly hooked. To avoid injuries, exercise caution and use safety glasses when installing.
- Where available, always use the loops sewn to the cover to remove the plastic clips. DO NOT PULL UP ON THE CLIPS OR THE FABRIC TO REMOVE THE COVER. When removing the cover, it will be easiest to reverse the installation steps.

Contents

Parts List	Pg. 2
Installation Instructions	
Hood Cover	Pg. 2
Front End Cover	Pg. 2

Unpacking: What You Have

Remove all parts from the shipping container. Check each part included against the following Parts List and look for any possible damage from shipping.

Parts List

Item	Description	Qty
1	Cover, hood	1
2	Cover, front end	1
3	Warranty	1
4	Care and Maintenance Pamphlet	1

The right side of the fabric is indicated as:



The Hood Cover

One of the features that makes your LeBra® Front End Cover the very best available is the separate Hood Cover. This means that you can access the engine compartment without removing or adjusting the cover. Install the Hood Cover first, by following these steps:

Step One

Open the hood and slip the Hood Cover over the front edge of the hood. Make sure that the corners of the hood fit snugly into the corners of the Hood Cover. When the Hood Cover fits snugly, stretch the fabric at straps to remove major wrinkles.

Step Two

Pull one of the straps sewn to the Hood Cover to the hole in the hood's underside, as shown in Figure 1. Adjust the Buckle Hook so that it is about 1/2" away from the hole. Now pull the strap down and slip the Buckle Hook into the hole. To release the tension on the webbing for adjustment of the strap, simply pull out on the tab on the Buckle Hook (see Figure 2).

The Strap should be quite taut (as taut as possible without tearing). Relocate the Buckle Hook if necessary to tighten. Tie off excess strap to keep free of the engine compartment. Repeat this process for the other side.

Figure 1

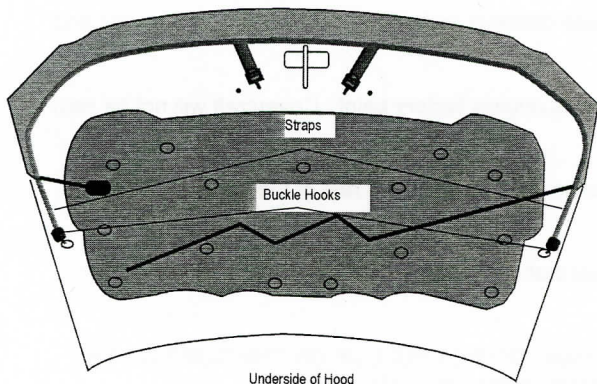
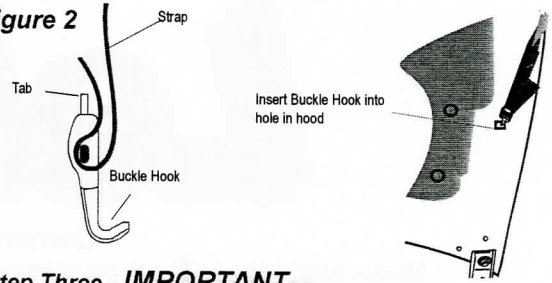


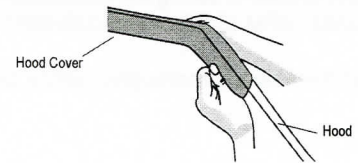
Figure 2



Step Three - IMPORTANT

With the Hood Cover in place, pull the fabric on the sides of the hood around to the underside of the hood on both sides. This will insure maximum tightness of the Hood Cover (see Figure 3). Note: Check all straps periodically to insure tension. Adjust tightness if necessary.

Figure 3



Step Four

The remaining strap provides better tension and stability for the cover (see Figure 4). Stretch the remaining strap across the underside of the hood (if applicable strap must go behind prop rod) and thread it through the buckle on the opposite side (see Figure 4a). Do not twist the strap. Pull the strap to remove slack, **DO NOT OVERTIGHTEN** (see Figure 4b). Loop the excess strap back through the buckle to keep it out of the engine compartment (see Figure 4c). Again, make sure the strap is taut.

Figure 4

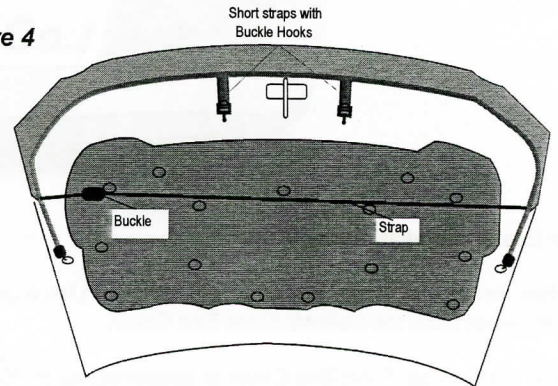
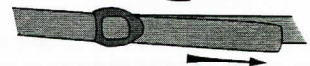


Figure 4a



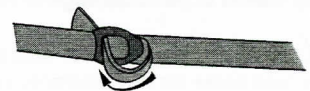
Thread strap through buckle

Figure 4b



Pull strap straight through buckle to tighten

Figure 4c



Thread excess strap back through buckle.

Step Five

Locate the shorter straps with buckle hooks sewn to the center of the cover (see Figure 4). Using the same operation as described for the the straps in Step Two, attach the buckle hooks into the holes as shown.

Note: If your vehicle is equipped with front parking assist sensors having the front end cover installed may interfere with the proper functioning of this feature.

Note: Instructions for license plate opening. Cut out the indented, rectangular area in the center of the cover, if you choose to use your front license plate. Be sure to cut inside and as close to the indentation as possible.

Installing the Front End Cover

This section explains how to install the front cover portion of your LeBra® Front End Cover.

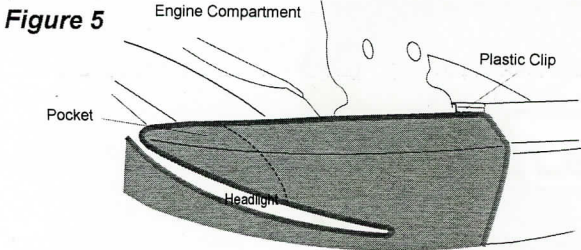
Step One

Orient the cover on the vehicle. The bottom of the cover will have a small fabric identification tag sewn in. If necessary, slip the opening in the cover around the license plate bracket.

Note: Turn the wheels for easier access to the wheel wells.

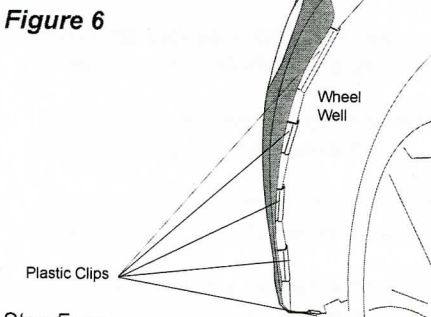
Step Two

Pull the sides of the cover up over the fender and slip the pockets sewn into the cover over the front corners of the fenders, above each headlight. Then locate the plastic clip sewn to the cover on each side of the engine compartment (see Figure 5). Hook the clips to the ledge on each side of the engine compartment.



Step Three

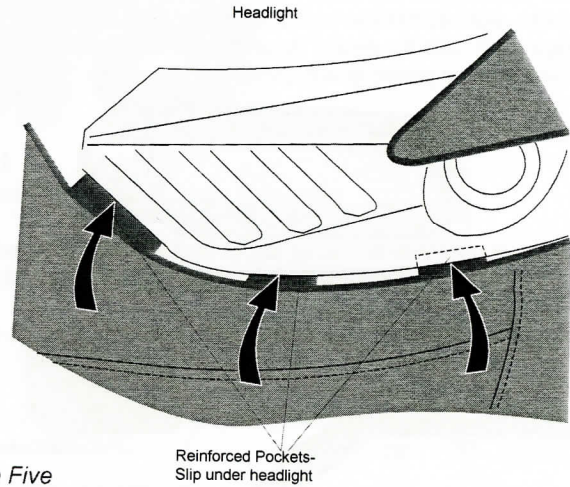
Pull the cover back to one of the wheel wells and locate the five plastic clips sewn to the cover in the wheel well (see Figure 6). Hook them to the edge of the fender. Pull the cover around the front of the vehicle and attach it to the opposite wheel well.



Step Four

Pull the cover up over the bumper and locate the three (3) reinforced pockets sewn to the cover under each headlight opening (see Figure 7). Slip the pockets as far as possible under the headlights.

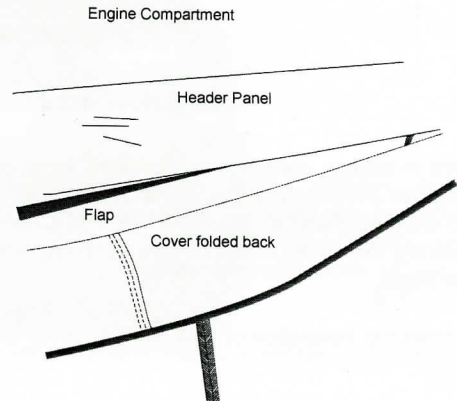
Figure 7



Step Five

Pull the cover up over the grille. Slip the front edge of the header panel **between** the flap and the cover (see Figure 8). There are not any attachments associated with this flap. It is just placed around the header panel as a stabilizer for air getting into the grille screen. Keep the cover in position and proceed to the next step. **WARNING**-This step **MUST** be done as described. The vinyl side of the flap cannot lay on the painted surface of the header panel.

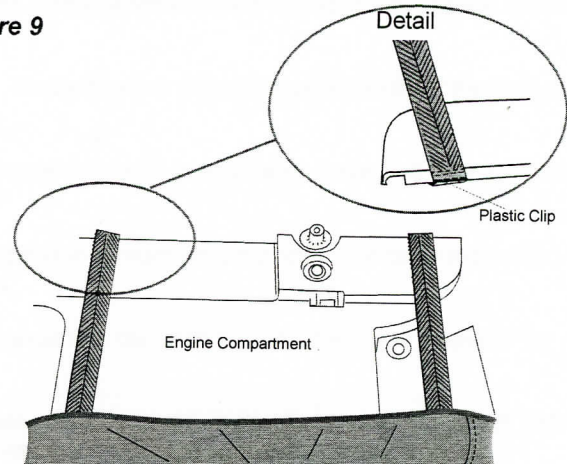
Figure 8



Step Six

Pull the cover up over the header panel. Locate the web straps with plastic clips sewn across the top of the cover. Hook the plastic clips to the back edge of the plastic shield in the engine compartment (see Figure 9).

Figure 9

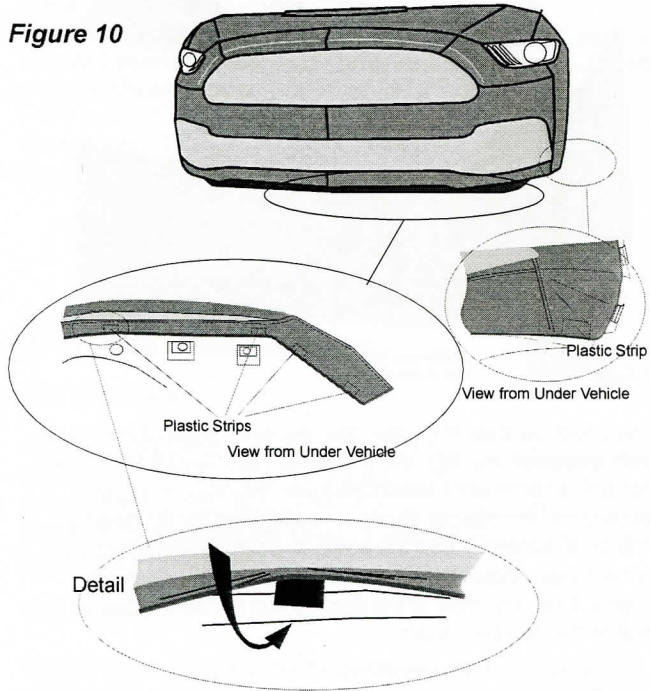


Continued...

Step Seven

Locate the ten plastic strips sewn across the bottom front of the vehicle, eight across the front and one under each fender (see Figure 10). Slip the plastic strips into the break between the spoiler and the plastic guard under the vehicle.

Figure 10



Note: Where available, always use the loops sewn to the cover to remove the plastic clips. DO NOT PULL UP ON THE CLIPS OR THE FABRIC TO REMOVE THE COVER. When removing the cover, it will be easiest to reverse the installation steps.

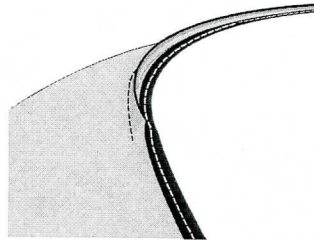
"This completes the installation of your custom-designed front end cover."

IMPORTANT!!

(IF APPLICABLE)

TOP EDGE OF HOOD COVER SHOULD NOT LAY FLAT AGAINST THE PAINTED SURFACE OF THE VEHICLE

TURN THE DEFLECTOR LIP (THAT RUNS ALONG THE TOP OF THE HOOD) UP SO THE STITCHED FELT PORTION IS IN CONTACT WITH THE PAINTED SURFACE AS SHOWN

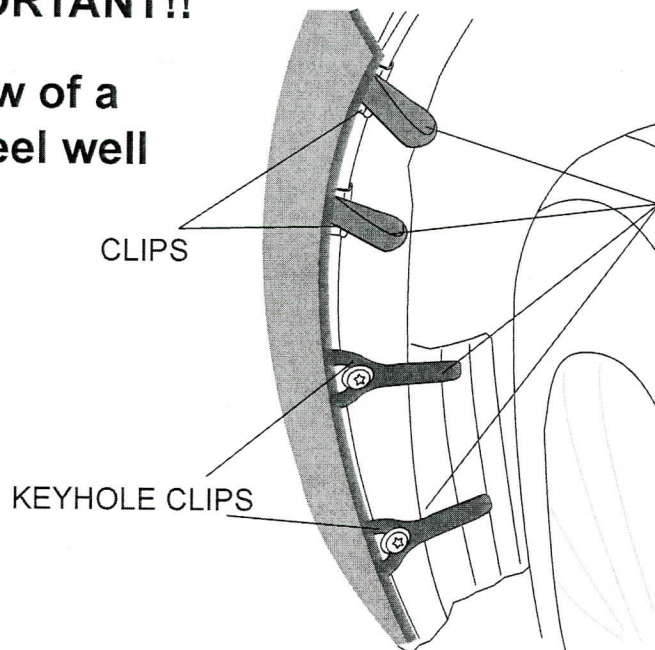


DO NOT ALLOW THE VINYL BINDING THAT RUNS ALONG THE OPPOSITE SIDE OF THE STITCHED FELT LINING TO COME IN CONTACT WITH THE PAINTED SURFACE OF THE HOOD

IMPORTANT!!

(IF APPLICABLE)

View of a wheel well



Use loops on clips or tabs on keyhole clips to **REMOVE** attachments **ONLY.**

DO NOT USE LOOPS ON CLIPS OR TABS ON KEYHOLE CLIPS TO INSTALL COVER.

LIMITED WARRANTY

LeBra Custom Front End Cover & Custom Hood Protector Limited Warranty

Covercraft Industries ("Covercraft") warrants to the original consumer purchaser ("you") the following about your new LeBra Custom Front End Cover/Custom Hood Protector when purchased from an authorized dealer/service provider ("dealer").

Covercraft warrants the vinyl material of the LeBra Front End Cover/Custom Hood Protector to be free from defects in materials and workmanship for 90 days.

Covercraft will, at its option, repair or replace any LeBra Front End Cover/Custom Hood Protector which it finds to be defective in material or workmanship at no charge and return it postage paid.

This warranty extends only to the original consumer purchase of the LeBra Front End Cover/Custom Hood Protector when purchased and originally installed within the boundaries of the United States, Canada, and Mexico. This warranty begins on your purchase date. This warranty terminates upon any transfer of ownership or if the cover is installed or relocated outside the boundaries of the United States, Canada, and Mexico by the original consumer purchaser prior to the expiration of the warranty period.

This limited warranty does not cover problems that result from:

- External causes such as accident, abuse, or misuse.
- Usage that is not in accordance with product instructions.
- Failure to follow the product instructions.

Except as described above, this warranty does not cover defects or damage due to normal wear and tear, improper installation, alteration without Covercraft's proper written consent, accident, acts of God, misuse, abuse, commercial or industrial use, use of an accessory not approved by Covercraft, failure to follow the LeBra instructions for installation, care and maintenance, or repairs made or attempted by anyone other than an authorized representative of Covercraft.

TO THE EXTENT PERMITTED BY LAW, COVERCRAFT SHALL NOT BE LIABLE FOR LOSS OF USE OF THE COVER OR OTHER INCIDENTAL OR CONSEQUENTIAL COSTS, EXPENSES OR DAMAGES. Some states do not allow the exclusion or limitation of incidental or consequential damages, so the above limitations may not apply to you. ANY IMPLIED WARRANTIES, INCLUDING THE IMPLIED WARRANTIES OF MERCHANTABILITY AND FITNESS FOR A PARTICULAR PURPOSE, ARE LIMITED TO THE DURATION OF THE APPLICABLE WARRANTY STATED ABOVE. Some states do not allow the exclusion or limitation of incidental or consequential damages, so the above limitations may not apply to you.

This warranty gives you specific legal rights, and you may have other rights which vary from state to state.

Form 705300 (12-09)

Tips for Easier Installation, Care & Maintenance

LeBra[®]
CUSTOM FRONT END COVER

Tips for Easier Installation, Care & Maintenance

Congratulations on your purchase of a LeBra® Custom Front End Cover or Custom Hood Protector. With proper care, your LeBra Cover/Protector will provide years of stylish looks and protection for your vehicle.

- 1 - Read this manual thoroughly before installation. After completing installation, keep this brochure for further reference.
- 2 - Check the label on the box to make sure the application is correct for your vehicle.
- 3 - Carefully wash and wax your vehicle before installing the LeBra. Use a quality protectant wax appropriate for your vehicle's finish.
- 4 - Install the LeBra in temperatures of 70° F (21°C) or higher. In cooler climates, this may be accomplished in your garage or another warm location. The warmth will make the fabric more pliable and will allow the LeBra to stretch slightly for a tighter and smoother fit. After installation is complete, **make sure the cover is tight at all times**. Warm weather will cause the material to expand and it may be necessary to retighten the cover.
- 5 - **We do NOT recommend installing the LeBra on any vehicle that has been repainted.**

6 - **Do not use vinyl protectants on your LeBra.** These products clog the perforations that permit the cover to **breathe** and dry.

7 - Your LeBra is constructed of "breathable" vinyl. "Breathable" means the fabric is perforated to allow air to pass through and to allow moisture to escape while driving. Moisture trapped between the vehicle and the LeBra while the car is stationary can cause paint to cloud or fade. Remove the LeBra if it becomes wet and when the vehicle will not be driven. Allow the vehicle and LeBra to dry completely before reinstalling.

8 - **Do not allow dust or dirt to accumulate under the LeBra.** These accumulations can damage the paint on the vehicle. Remove the LeBra every two weeks and, if needed, wash both the vehicle and the Front End Cover. Do not leave the LeBra on the vehicle when washing as soap may become trapped between the fabric and painted surface and may cause damage. To further protect your vehicle's finish, wax as often as needed.

9 - If the LeBra starts flapping due to high winds or excessive car speed, pull over immediately and retighten the LeBra or remove it. Flapping may damage the paint on your vehicle.

10 - Clean the LeBra inside and out with warm water, liquid dish soap and a soft brush, then rinse thoroughly. Allow to dry completely before reinstalling. **Do not clean in a washing machine or dryer.**

11 - If you encounter any problems during installation of your LeBra Front End Cover or Custom Hood Cover, please contact our Customer Service department at 405-238-9651, Monday - Friday from 8AM to 4PM CST, or by email at sales@covercraft.com

Trouble-Shooting Guide

LeBra does not fit...

Check to see if the LeBra is covering the headlights (this should not happen). Check the white cloth surface of the LeBra near the outside seam. You should see the word "Bottom" and the "Model Number" of your LeBra stamped along the edge. Position the LeBra on the car so the word "Bottom" is at the bottom edge of the vehicle.

LeBra is only made for factory-manufactured front ends..

If your vehicle has any aftermarket accessories on the front end, the LeBra will not fit.

Hood piece flaps at highway speeds...

This can usually be remedied by checking to make sure the strap that runs left to right underneath the hood is snug and tight. Also make sure the fabric is pulled tightly around the edges of the hood.

Fender clips will not reach specified attachment points...

Make sure the clips have been attached in the order specified in the instructions. If they are attached out of order, it may not allow sufficient stretching of the vinyl to allow the fender clips to reach. For ease of installation, we recommend installing the LeBra in temperatures above 70°F (21°C) because cooler temperatures will render the vinyl non-pliable or may cause tearing at the seams.

Caution: Do not pull on the web loops sewn to the clips while installing. They are designed only to give the user a place to grip when removing the LeBra from the vehicle.

Additional Parts...

Buckle hooks are tied to the straps on the hood piece or enclosed in the box in a plastic bag. If additional parts are required, contact your place of purchase to obtain the pieces you may need, or contact Customer Service at the number noted above (in #11).