

REAR CONTROL ARM BUSHING INSTALLATION INSTRUCTIONS

Prothane Motion Control highly recommends this and all our polyurethane suspension kits be installed by a qualified automotive technician.

- 1) Remove the upper control arm from the vehicle.
- 2) Remove the original rubber bushing from the control arm.
- 3) Thoroughly clean the inside of the control arm of any debris.
- 4) Install the new polyurethane bushings 64366 into the arm using plenty of Prothane™ Super Grease. (See Fig. 1)
- 5) Grease and install the new inner sleeves 60939 into the polyurethane bushings.
- 6) Grease the outer face of the bushings and install the control arm back onto vehicle.
- 7) Torque all fasteners to factory specifications.

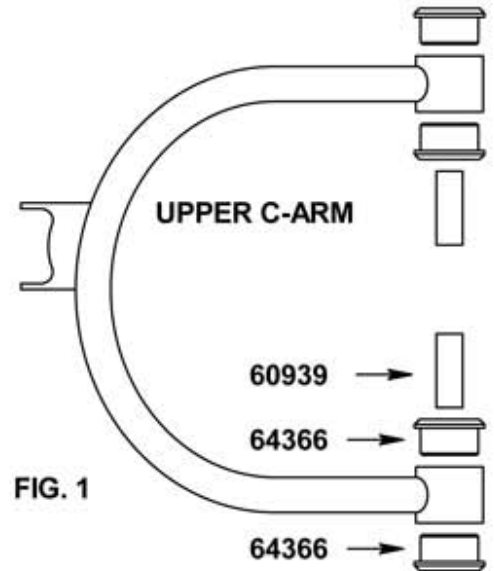


FIG. 1

PARTS LIST FOR KIT #13-302

Part #	Description	Qty
64366	Upr C-arm Bush	8
64367	Lwr C-arm Bush	4
65053	Trailing Arm Bush	2
SLV-60939	9/16x10MMx1.58"	4
SLV-60777	3/4x12MMx2.58"	2
SLV-60949	7/8x14MMx2.75"	2
19-1750-001	Super Grease	4

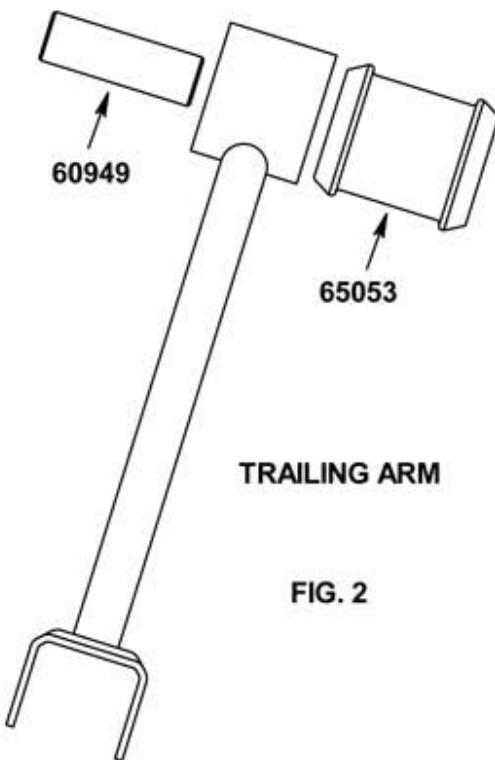


FIG. 2

- 1) Remove the lower control arm and trailing arm from the vehicle.
- 2) Remove the original rubber bushing including outer metal shell from both arms. These bushings should be pressed out with an arbor or hydraulic press.
- 3) Thoroughly clean the inside of the arms of any debris.
- 4) Starting with the trailing arm, press the new polyurethane bushing 65053 into the arm using plenty of Prothane™ Super Grease. Bushing must be pressed in using an arbor press or bench vise. (See Fig. 2)
- 5) Grease and install the new 7/8" inner sleeve 60949 into the polyurethane bushing.
- 6) Now grease and install the new polyurethane bushings 64367 into the control arm. Bushings can be installed by hand. (See Fig. 3)
- 7) Grease and install the new 3/4" inner sleeve 60777 into the polyurethane bushings.
- 8) Apply grease to the outer face of all bushings and reinstall both arms onto vehicle.
- 9) Torque all fasteners to factory specifications.

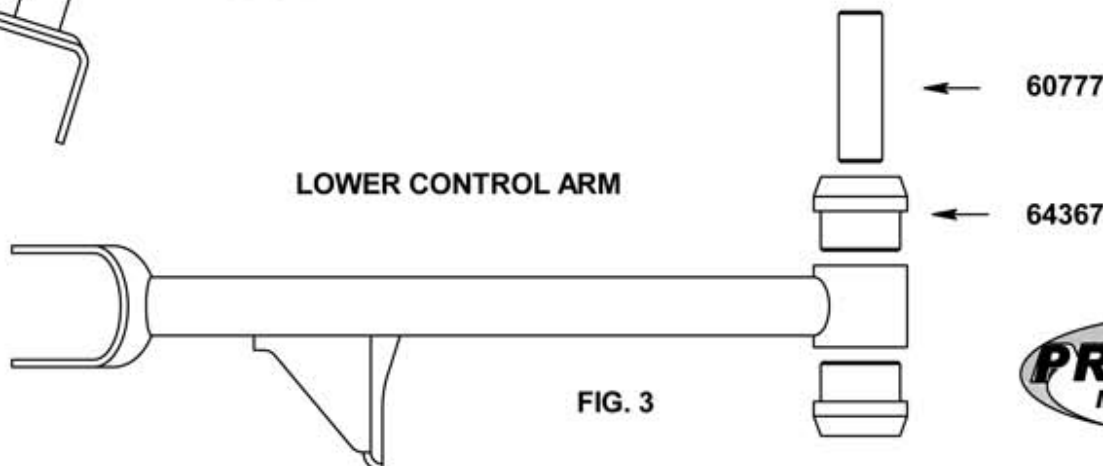


FIG. 3



