



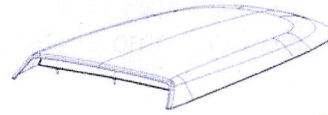
## Ford Mustang Hood Scoop Kit Installation Instructions

Application: 2005 - Ford Mustang GT Model

**Before installing your Roush Performance Product(s), read through the entire installation procedure and check to make sure all items are present.**

### Packaging List for Complete Hood Scoop Kit #R03050029

<u>Item</u>	<u>Quantity</u>	
Hood Scoop (#R03050030)	1	Hood Scoop #R03050030
Grille, Hood Scoop (#R03050035)	1	
Hardware Kit, Hood Scoop (#R03050032)	1	
U-Stud, M4x0.7x23mm	7	
Nut, M4x0.7 Hex Flange	7	
Nut, M6 Hex Flange	3	
PT1100 Tape, Adhesive 8x240mm	1	
PT1100 Tape, Adhesive 12x250mm	2	
Drill Template, Hood Scoop (#R03050033)	1	
Installation Instructions (#R03050034)	1	



Grille, Hood Scoop  
#R03050035



U-Stud,  
M4x0.7x23mm



Nut, M4x0.7  
Hex Flange



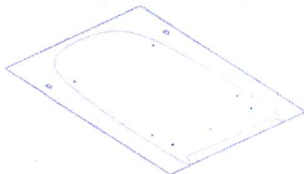
Nut, M6  
Hex Flange



Tape, Adhesive 8x240mm, qty 1



Tape, Adhesive 12x250mm, qty 2



Drill Template  
Hood Scoop, #R03050033



**Equipment and Supplies Required**

Automatic Center Punch  
5 mm Drill Bit  
Ratchet  
9 mm Socket  
11mm Socket  
Soft Cloth  
Roll of Masking Tape  
Torque Gage (N-m)

**Suggested Materials**

Dupont® 2319 Plastic Prep  
Dupont® 2330S or equivalent Adhesion Promoter (for paint)  
3M 4298 Adhesion Promoter (for double-sided tape)



## **LIMIT OF LIABILITY STATEMENT**

The information contained in this publication was accurate and in effect at the time the publication was approved for printing and is subject to change without notice or liability. Roush Performance Products (RPP) reserves the right to Revise the information presented herein or to discontinue the Production of parts described at any time.

### **1. SAFETY REQUIREMENTS**

**STOP! READ IMPORTANT SAFETY CAUTIONS AND WARNINGS BEFORE PROCEEDING.**

#### **IMPORTANT SAFETY NOTICE**

Appropriate disassembly, assembly methods and procedures are essential to ensure the personal safety of the individual performing the kit installation. Improper installation due to the failure to correctly follow these instructions could cause personal injury or death. Read each step of the installation manual carefully before starting the actual installation.

1. Always wear safety glasses for eye protection.
2. Place ignition switch in the OFF position.
3. Always apply the parking brake when working on a vehicle.
4. Block the front and rear tire surface to prevent unexpected vehicle movement.
5. Operate the engine only in well-ventilated areas to avoid exposure to carbon monoxide.
6. Do not smoke or use flammable items near or around the fuel system.
7. Use chemicals and cleaners in well-ventilated areas.
8. Batteries produce explosive gases, which can cause personal injury. Therefore, do not allow flames, sparks or flammable substances to come near the battery.
9. Keeps hands and any other objects away from the radiator fan blades.
10. Keep yourself and your clothing away from moving parts when the engine is running.
11. Do not wear loose clothing or jewelry that can get caught in rotating parts or scratch surface finishes.



## 2. Paint Preparation

1. Wipe each part with plastic prep (Dupont® 2319 or equivalent)
2. Wipe entire part with tack cloth
3. Apply adhesion promoter (Dupont® 2330S or equivalent) prior to color and clear coat applications. This part is made of TPO (Thermoplastic Polyolefin) and requires a promoter for paint adhesion.

## 3. Vehicle Preparation

1. Clean hood surface thoroughly before using drill template.
2. Open hood and remove pushpins from insulating liner (see FIGURE A).
3. Remove liner and set all removed parts, including pushpins, aside for reinstallation.
4. Find hood centerline by measuring side-to-side at front and rear of hood. Mark center with tape.
5. Align drill template with centerline of tape marks and washer nozzles (see FIGURE B). Secure template in place with tape, using care to avoid covering over hole positions.
6. Mark hole centers with automatic center punch. Be careful not to use excessive force and damage hood.
7. Remove template and drill seven 5 mm holes from topside of hood.
8. De-Burr all holes and remove shavings from area.

**Note: It is recommended that a rust prohibitor be used for all metal that has been drilled or cut.**

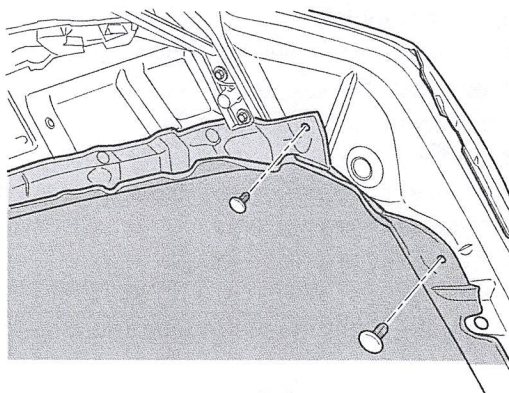


FIGURE A

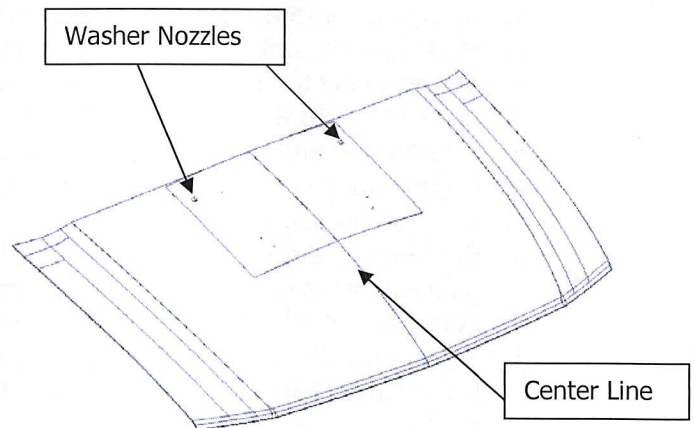
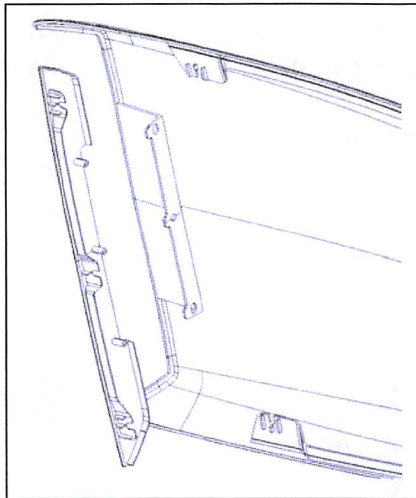


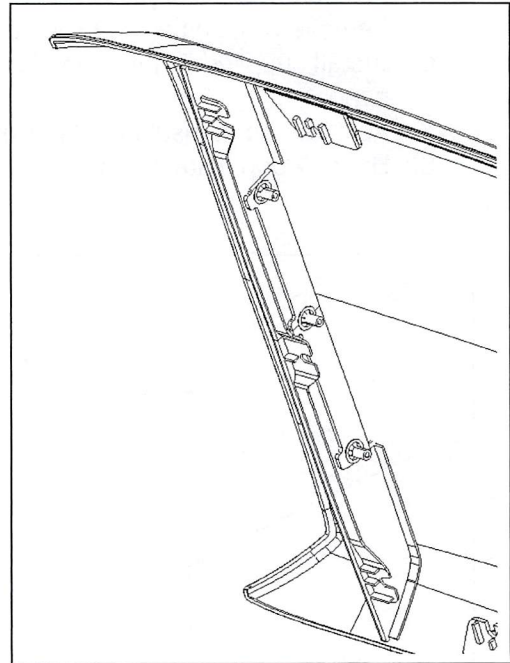
FIGURE B

## 4. Hood Scoop Preparation

1. Install supplied Grill to hood scoop using supplied M6 HexFlange Nuts, qty 3. (see Figure C)
2. Install supplied tape to hood scoop (see Figure D).
  - Tape, Adhesive 8x240mm (scoop rear), qty 1.
  - Tape, Adhesive 12x250mm (scoop sides), qty 2.
3. Install supplied u-studs to hood scoop, qty 7 (see Figure E).

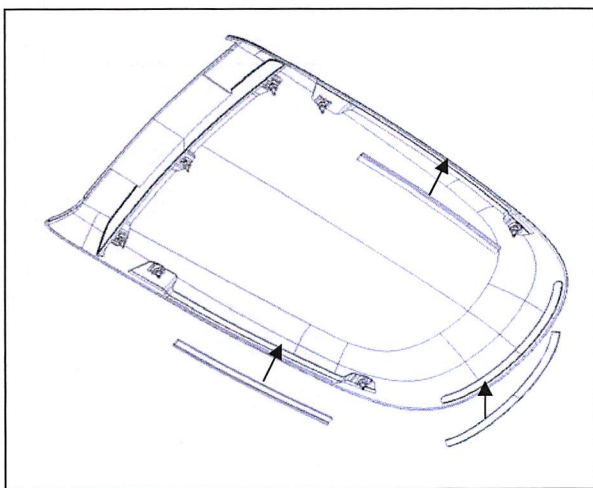


a)

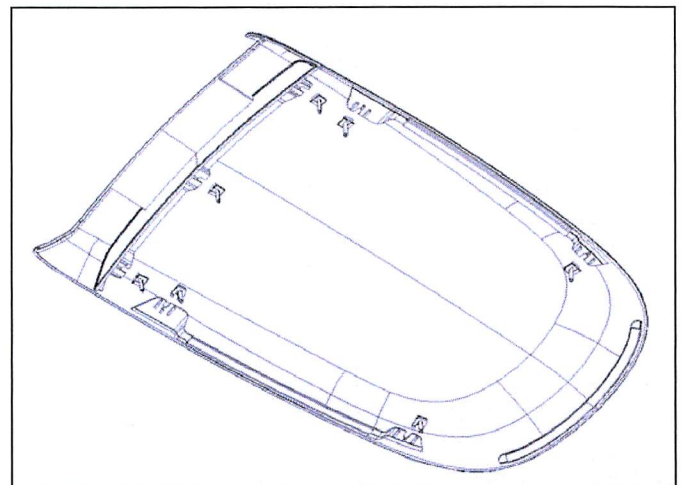


b)

**Figure C:** a) and b)



**Figure D**

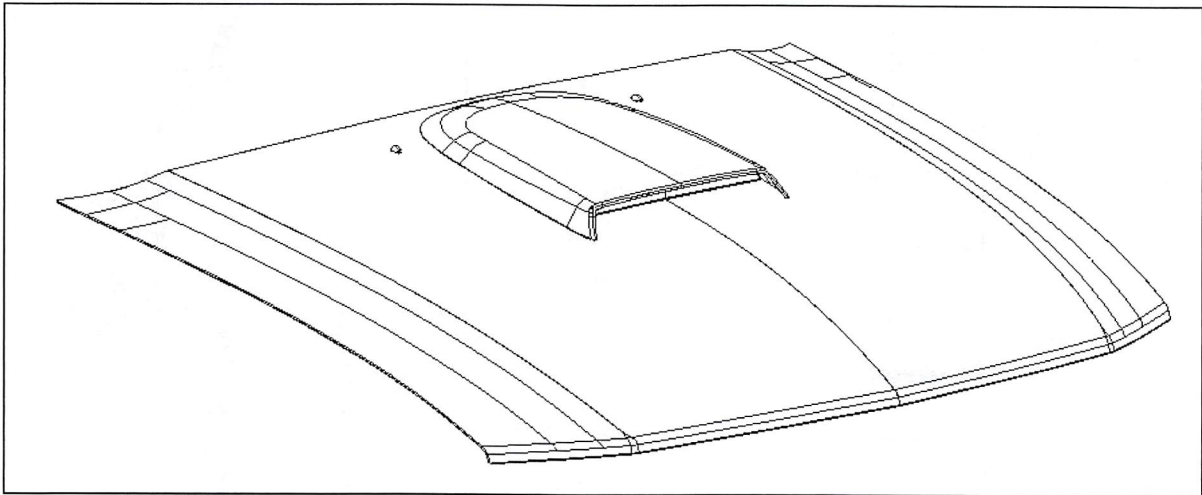


**Figure E**



## 5. Hood Scoop Installation

1. Trial fit Hood Scoop to hood. DO NOT remove red tape backing at this time. Verify proper alignment and consistent gapping to fascia surface.
2. After fit is reviewed, remove parts for final assembly.
3. Remove 1" section of protective backing from tape strip creating tab for easy removal with hood scoop in installed position.
4. Position hood scoop to hood and verify proper alignment.
5. Remove remaining red protective covering from tape strip by pulling tab.
6. Install supplied 7 nuts and **Torque to 2 – 3 N-m**. Reduce torque if sheet metal starts to bend.
7. Reinstall hood insulating liner and push-pins.
8. Hood Scoop installation is complete.





**Note:** If items are missing or for any questions regarding the installation of this kit, please contact Roush Performance toll free at 1-800-59-ROUSH.

## **WARRANTY**

All retail parts carry a 90-day warranty from the date of purchase. This warranty covers defects in materials or workmanship, and does not include (i) normal wear and tear, environmental conditions, improper installation; (ii) road hazards, misuse, abuse, neglect, accidents, collision, fire, theft, freezing, vandalism, riot, explosion, or objects striking the vehicle; (iii) misusing the vehicle, such as driving over curbs, overloading, racing, or using the vehicle as a stationary power source; (iv) altering, disassembling or modifying the parts; (v) defects caused or induced by failures, breakdowns, or damage by other parts, components or the vehicle; (vi) subjecting the parts to excessive moisture or water or any motor vehicle fluids (e.g.: oil, anti-freeze, battery acid, brake fluid, etc.); (vii) acts of God, natural disasters and other similar causes beyond the reasonable control of Roush; or (viii) application of chemicals that affect the parts. This Limited Warranty does not cover surface deterioration of paint, trim, and appearance items that result from use and/or exposure to the elements, such as stone chips, scratches, bird droppings, lightning, hail, windstorm, dings, dents, earthquake, road salt, tree sap, water or flood.

ROUSH SHALL NOT BE LIABLE TO REIMBURSE CUSTOMER/DEALER FOR INCIDENTAL OR CONSEQUENTIAL DAMAGES RESULTING FROM THE INSTALLATION OR USE OF ANY PRODUCT SOLD THROUGH THIS CATALOG OR ARISING OUT OF ANY BREACH OF WARRANTY. EXCEPT AS MAY BE STATED IN THIS CATALOG, ROUSH DISCLAIMS ALL EXPRESS AND IMPLIED WARRANTIES, INCLUDING THE WARRANTIES OF MERCHANTABILITY AND FITNESS FOR A PARTICULAR PURPOSE. IN NO EVENT SHALL ROUSH'S LIABILITY EXCEED THE PRICE PAID BY CUSTOMER/DEALER FOR PRODUCTS SOLD REGARDLESS IF ROUSH HAS BEEN ADVISED IN ADVANCE OF ANY POTENTIAL PROBLEM OR IF A CLAIM IS BASED ON CONTRACT, TORT, STRICT LIABILITY, PRODUCT LIABILITY OR OTHERWISE. SOME STATES DO NOT ALLOW THE EXCLUSION OR LIMITATION OF IMPLIED WARRANTIES OR THEIR DURATION, OR LIABILITY FOR INCIDENTAL OR CONSEQUENTIAL DAMAGES, SO THE ABOVE EXCLUSIONS OR LIMITATIONS MAY NOT APPLY.